

JACKSON COUNTY FIRE DIST 5 PHOENIX, OR SO.143464 / Q97870 AERIAL BODY E-ONE CYCLONE 6X4 CHASSIS HP75 AERIAL LADDER

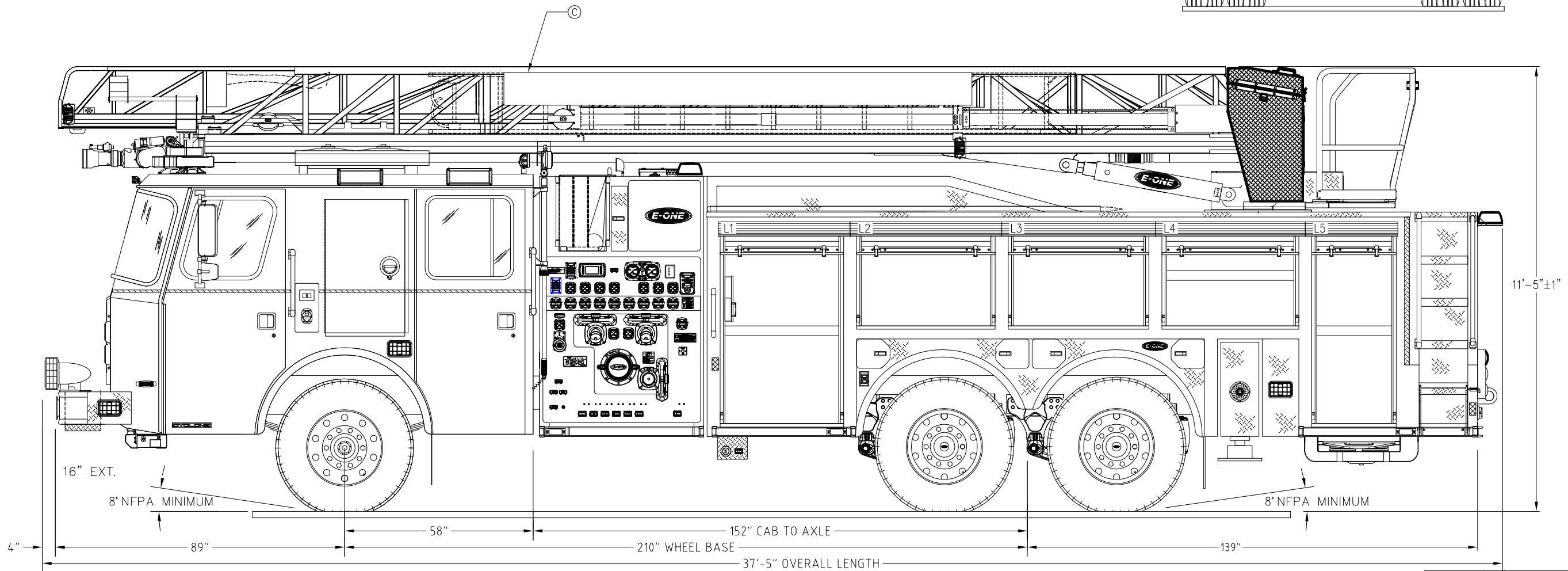
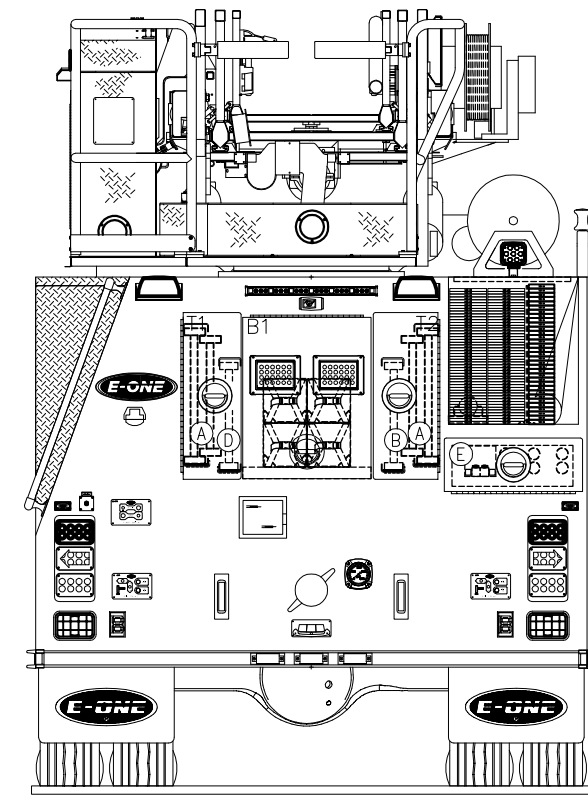
THIS DRAWING IS FOR REFERENCE PURPOSES. ALL DIMENSIONS ARE SUBJECT TO MINOR VARIATIONS DUE TO MANUFACTURING PROCESSES.

APPROVED FOR PRODUCTION

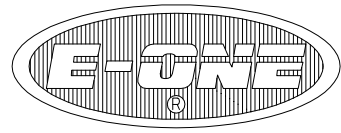
DESIGNER: D. BRAY DATE: 2019-12-19

1500 GPM HALE QMAX PUMP		HOSE LOAD:	
470 GALLON WATER TANK		1000' OF 4.00" LDH	
30 GALLON INTEGRAL CLASS A FOAM		500' OF 2.50" DJ	
COMPT.	OPENING	INTERIOR DIMENSION	
L1/R1	36W 52H	38W 35H 24D UPPER	
		38W 26H 26D LOWER	
L2/L3/L4	40W 22H	42W 35H 24D	
R2	45W 17H	47W 26H 26D	
L5	24W 52H	26W 35H 24D UPPER	
		26W 26H 26D LOWER	
GROUND LADDERS			
ITEM	LADDER LENGTH	MODEL NUMBER	QTY.
A	35' 2-SECT.	PEL-35	2
B	20' ROOF	PRL-20	1
C	16' ROOF	PRL-16	1
D	14' ROOF	PEL-14	1
E	10' ATTIC	FL-10	1

ON AERIAL



WSTRINGFELLOW	REV	DESCRIPTION	DATE	APPROVED
GAC	F	CHANGE ORDER	2020-APR-02	GAC
GAC	E	ACTION ITEM	2020-02-25	GAC
D.B	D		2020-01-09	GAC
D.B	D		2019-12-19	D.B
D.B	C		2019-10-04	D.B
D.B	A	INITIAL RELEASE	2019-08-05	D.B
DRAWN BY	REV	DESCRIPTION	DATE	APPROVED
WSTRINGFELLOW	H	PIT TICKET	2020-JUN-02	GAC

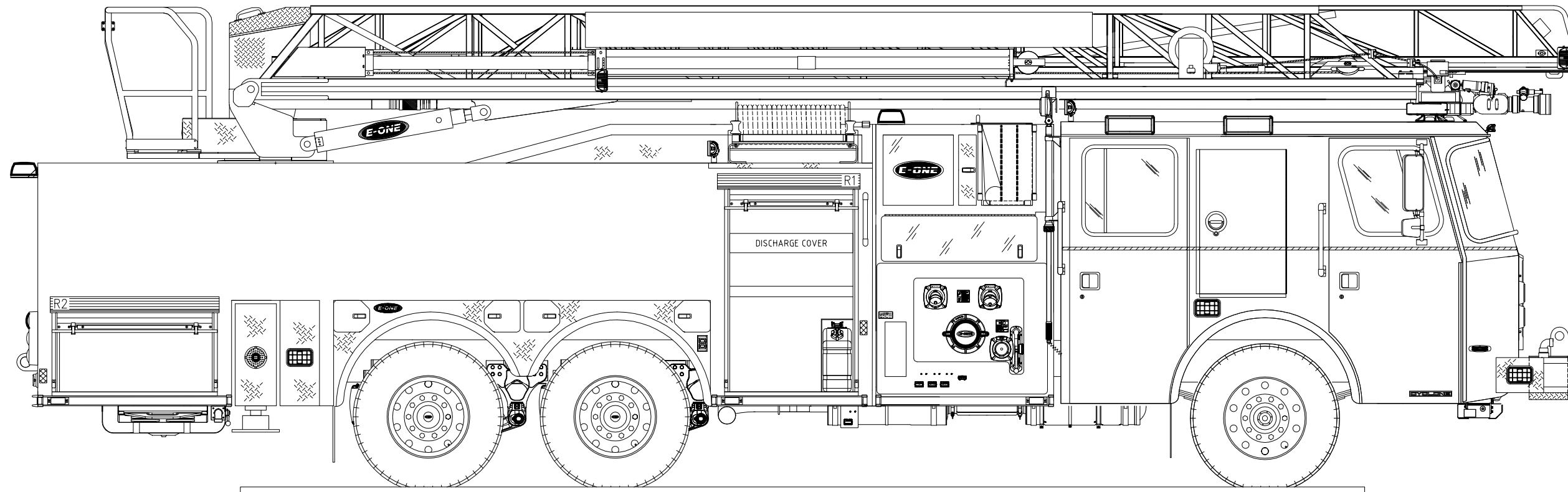
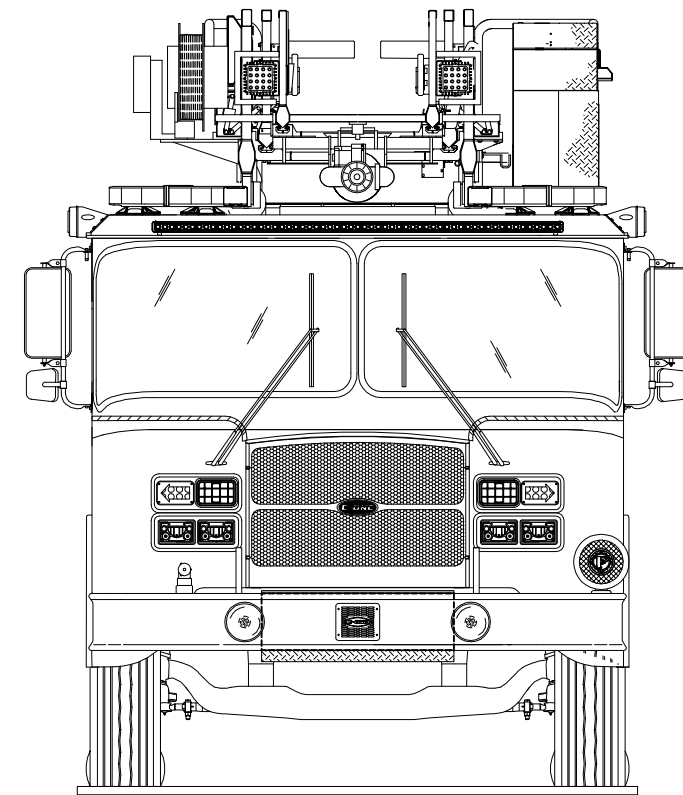


JACKSON COUNTY FIRE DIST 5
PHOENIX, OR
SO.143464 / Q97870
AERIAL BODY
E-ONE CYCLONE 6X4 CHASSIS
HP75 AERIAL LADDER

THIS DRAWING IS FOR REFERENCE PURPOSES. ALL DIMENSIONS ARE
 SUBJECT TO MINOR VARIATIONS DUE TO MANUFACTURING PROCESSES.

APPROVED FOR PRODUCTION

DESIGNER: D. BRAY DATE: 2019-12-19



WSTRINGFELLOW	H	PIT TICKET	2020-JUN-02	GAC
WSTRINGFELLOW	G	CHANGE ORDER	2020-APR-02	GAC
GAC	F	ACTION ITEM	2020-02-25	GAC
GAC	E	CRS	2020-01-09	GAC
DJB	D	DJB	2019-12-19	DJB
DJB	C	DJB	2019-10-04	DJB
DJB	A	INITIAL RELEASE	2019-08-05	DJB
DRAWN BY	REV	DESCRIPTION	DATE	APPROVED
PROPOSAL REVISIONS				SHEET 2 OF 2